

VELOX VMS-30-BK

Monitor speaker, 2-way-system, swivel bracket included, 30 watts (100V & 8ohms), ABS, black, certified EN54-24, BS 5839 compliant



Description

The compact monitor speaker impresses by a sophisticated design and by its powerful sound. Perfectly suitable for installations where high sound quality is needed.

The 30W powered speaker is equipped with a high quality 2-way system and a 100V transformer with 3 power adjustments. Also, the low impedance operation with 8 ohm is possible. The impact-resistant, UV-resistant ABS plastic housing in white assures enduring stability. For additional reliability, a wetness impregnation of the speaker is provided.

The speaker is also secured with protection class IP 65 against the risks of environmental influences. A comfortable connection of the speaker is made possible by a stable screw terminal with contact protection. Quick and easy mounting with wall mounting bracket.

- Distinctive design
- Excellent sound
- IP 65



Standard & Approvals

VELOX loudspeakers are tested and classified according to the IEC standard 60529 (degree of protection by enclosure) against the penetration of foreign objects and moisture.

The classification is conforming to standards through characterization with a fixed code. This code consists of the letters IP (Ingress Protection) followed by two digits.

The first digit indicates the degree of protection against dust and the second digit the degree of protection against water. Please note that the testing of the products has been carried out in laboratory conditions which are not always 100% comparable with the conditions of different installation environments. This protection can be reduced due to normal wear and tear depending on the installation environment.

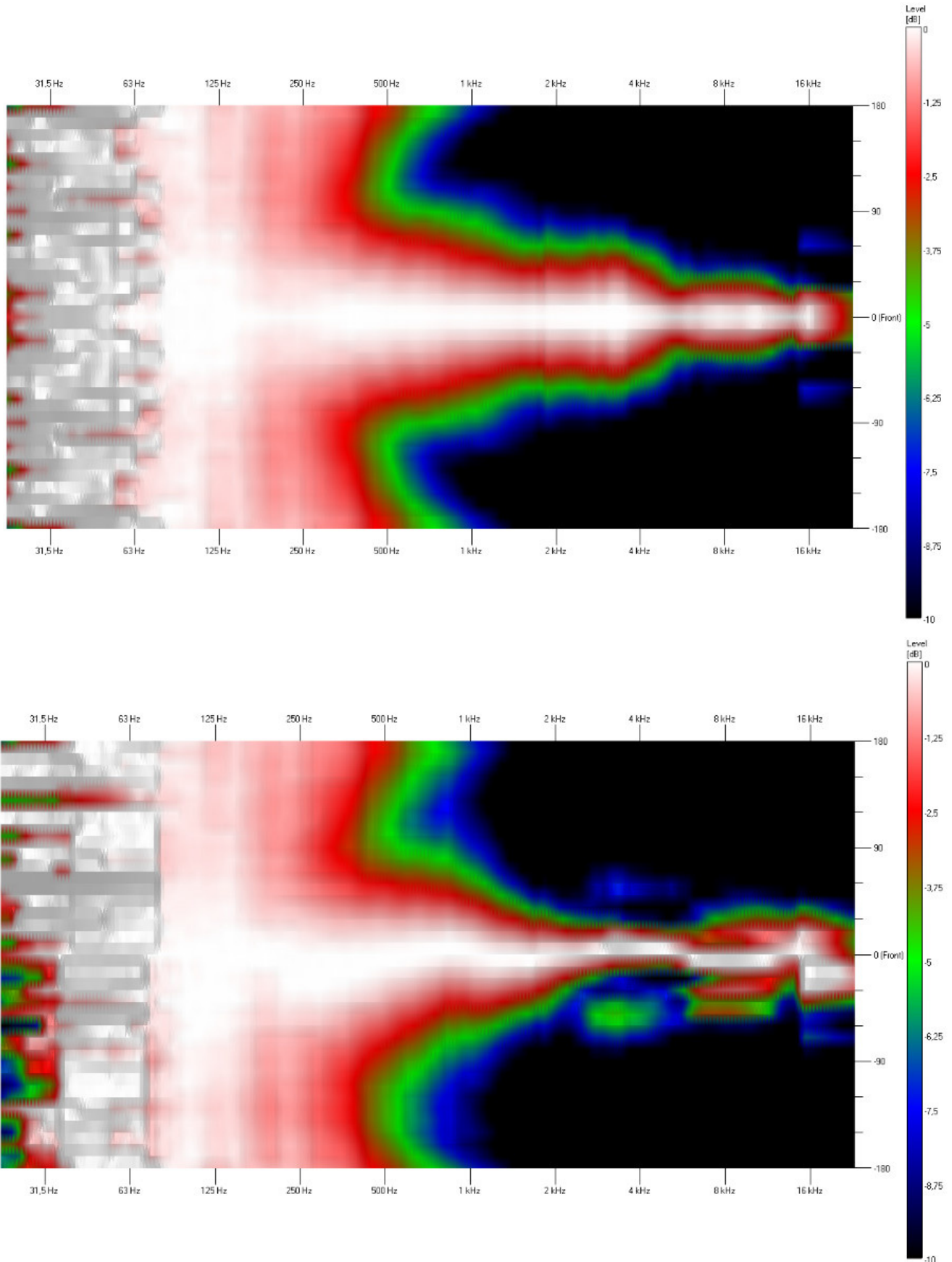
RoHS compliant (2011/65/EU)

The IP rating specified is based on VELOX test results, not on CNBOP-PIB test results. Certification only verifies the minimum requirements for EN54-24 compliance.



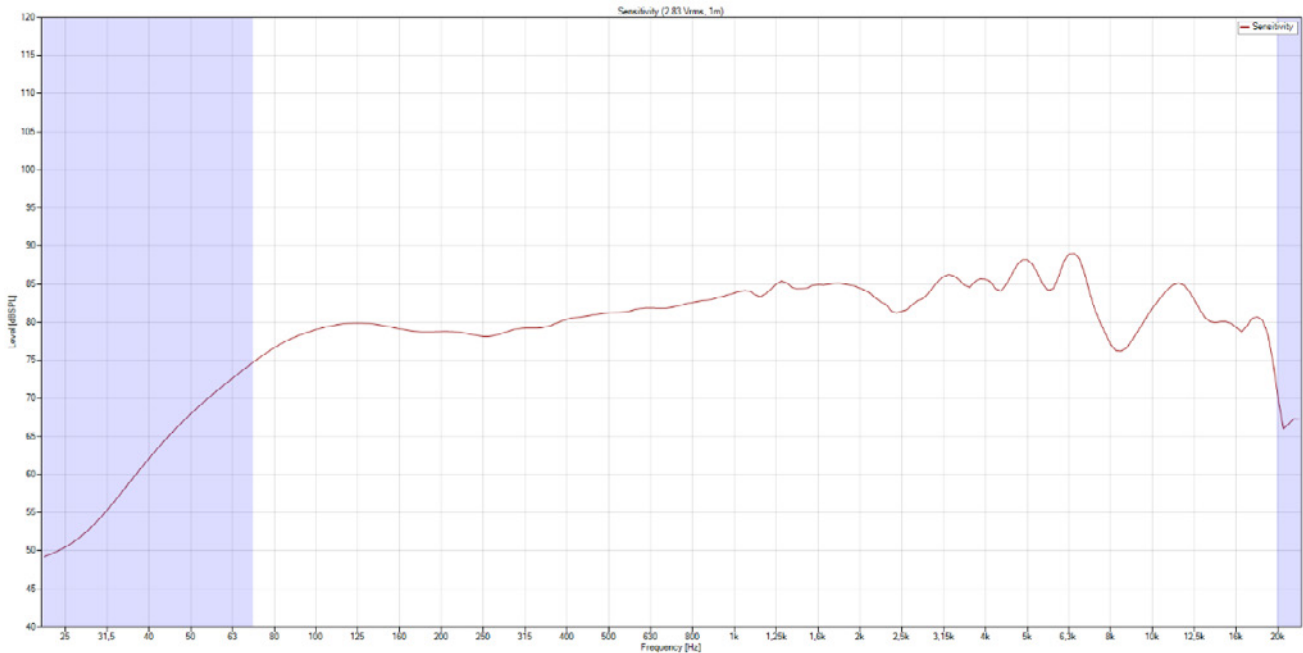
EN 54-24:2008
Ref. Nr.: 011-13
ID-Code: SAA-LS11
xxx-CPR-xxxx

Polar Diagrams

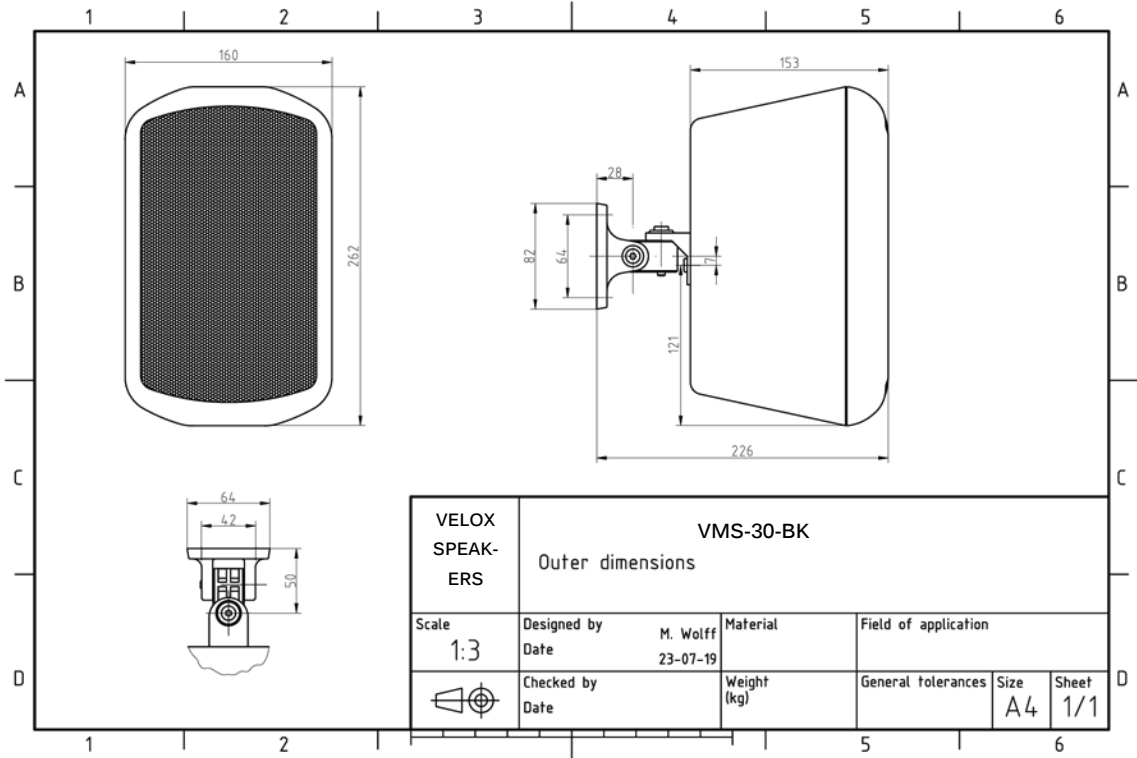


Frequency Response Diagrams

VMS-30-WH



Technical Diagrams



Technical Data (Electrical)

Feature	Description
Power	30/15/7.5/3.75 (8ohm) W
Impedance (100V)	333/667/1333/4000 ohm
Frequency Range	60 - 24.000 Hz
Frequency Response	50 - 25.000 Hz
SPL IEC268-5, 1W/1m	82.4 dB
SPL EN54-24, Pmax/4m	86.0 dB
Sensitivity EN54-24, 1W/4m	70.4 dB
Sensitivity EN54-24, 1W/1m	82.4 dB
Dispersion -6dB, 500Hz	360° (h) 360° (v)
Dispersion -6dB, 1KHz	200° (h) 160° (v)
Dispersion -6dB, 2KHz	130° (h) 100° (v)
Dispersion -6dB, 4KHz	220° (h) 140° (v)

Technical Data (Mechanical)

Feature	Description
Dimensions	260x160x152 mm
IP Rating	IP65
Weight (net)	2.50 kg
Temperature range	-25 / +80 °C
Mounting	Swivel bracket
Connector	6-pin screw terminal
Terminal diameter	2.5 mm
Maximum cable passage	4.9 mm ²
Colour	Black

Order code

Part No.	Description
VMS-30-BK	Monitor speaker, 2-way-system, swivel bracket included, 30 watts (100V & 8ohms), ABS, black, certified EN54-24, BS 5839 compliant

As our policy is one of constant product improvement the right is therefore reserved to modify product specifications without prior notice
 Ref. VMS-30-BK/SP/R1/V1/271123

ATEİS Middle East FZCO.

LIU No.11 Dubai Silicon Oasis
 P.O. Box 293640 Dubai United Arab Emirates.
 Tel. +971 (4) 3262730 - Fax. +971 (4) 3262731
 info@ateis.ae, www.ateis.ae, www.velox.ae