

VELOX VMHS-30-2W-EN

Music horn, 2-way-system, 30 watts, RAL 7035, with thermal fuse and ceramic block, certified EN 54-24, BS 5839 compliant, IP66



Description

The 30W powered 2-way speaker is equipped with a 100V line transformer with 4 power adjustments. The impact-resistant ABS housing in RAL 7035 guarantees long-term stability. For additional reliability, a ceramic block and a thermal fuse are provided.

The speaker is also secured with the high protection class IP 66 against the security risks of environmental influences. The speaker is compliant with the British Standard BS 5839, Part 8.

Mounting by the stainless aluminium universal mount. Optionally available is a mast bracket (MB) for approx. 90-200 mm mast diameter.

- Superb sound quality
- Weather-proof
- BS 5839

Standard & Approvals

VELOX loudspeakers are tested and classified according to the IEC standard 60529 (degree of protection by enclosure) against the penetration of foreign objects and moisture.

The classification is conforming to standards through characterization with a fixed code. This code consists of the letters IP (Ingress Protection) followed by two digits.

The first digit indicates the degree of protection against dust and the second digit the degree of protection against water. Please note that the testing of the products has been carried out in laboratory conditions which are not always 100% comparable with the conditions of different installation environments. This protection can be reduced due to normal wear and tear depending on the installation environment.

RoHS compliant (2011/65/EU)

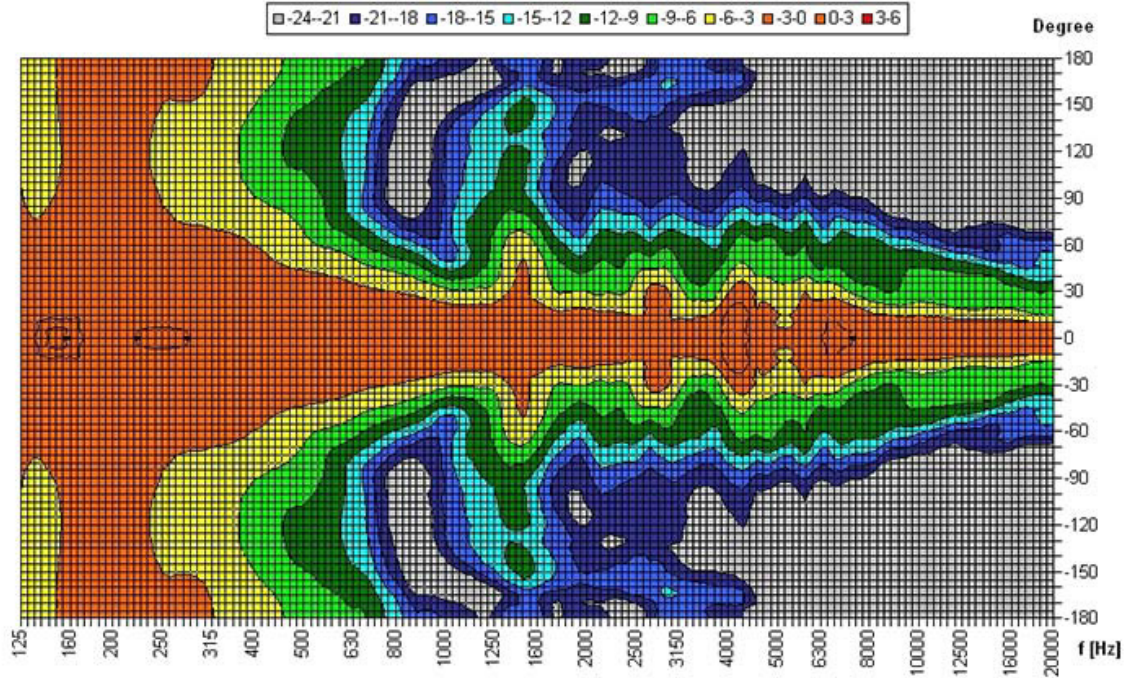
The IP rating specified is based on VELOX test results, not on CNBOP-PIB test results. Certification only verifies the minimum requirements for EN54-24 compliance.



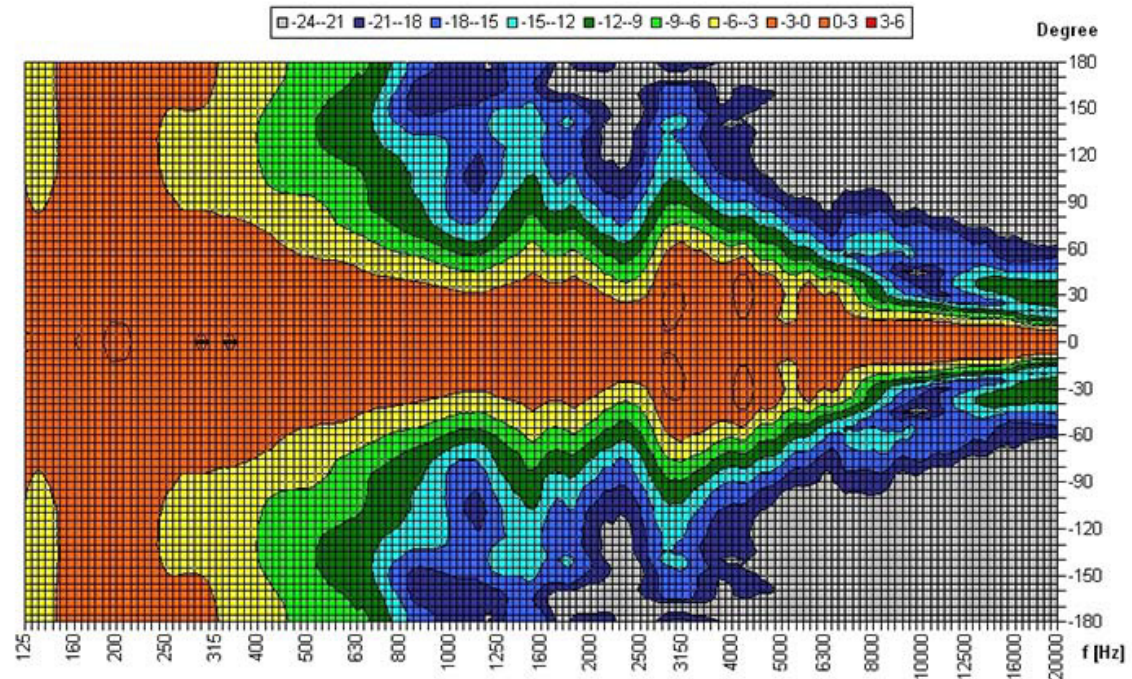
EN 54-24:2008
Ref. Nr.: 003-13
ID-Code: SAA-LS03
xxx-CPR-xxxx

Polar Diagrams

Horizontal Isobars

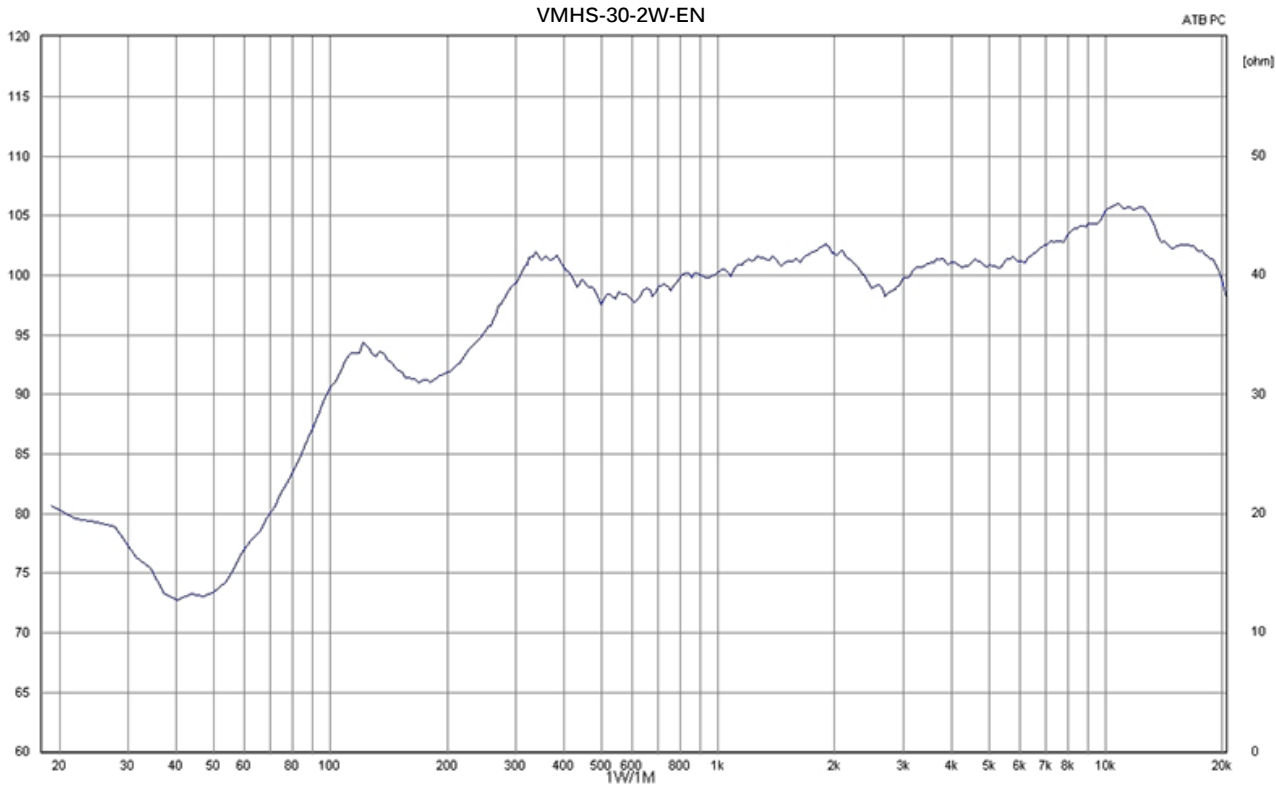


Vertical Isobars

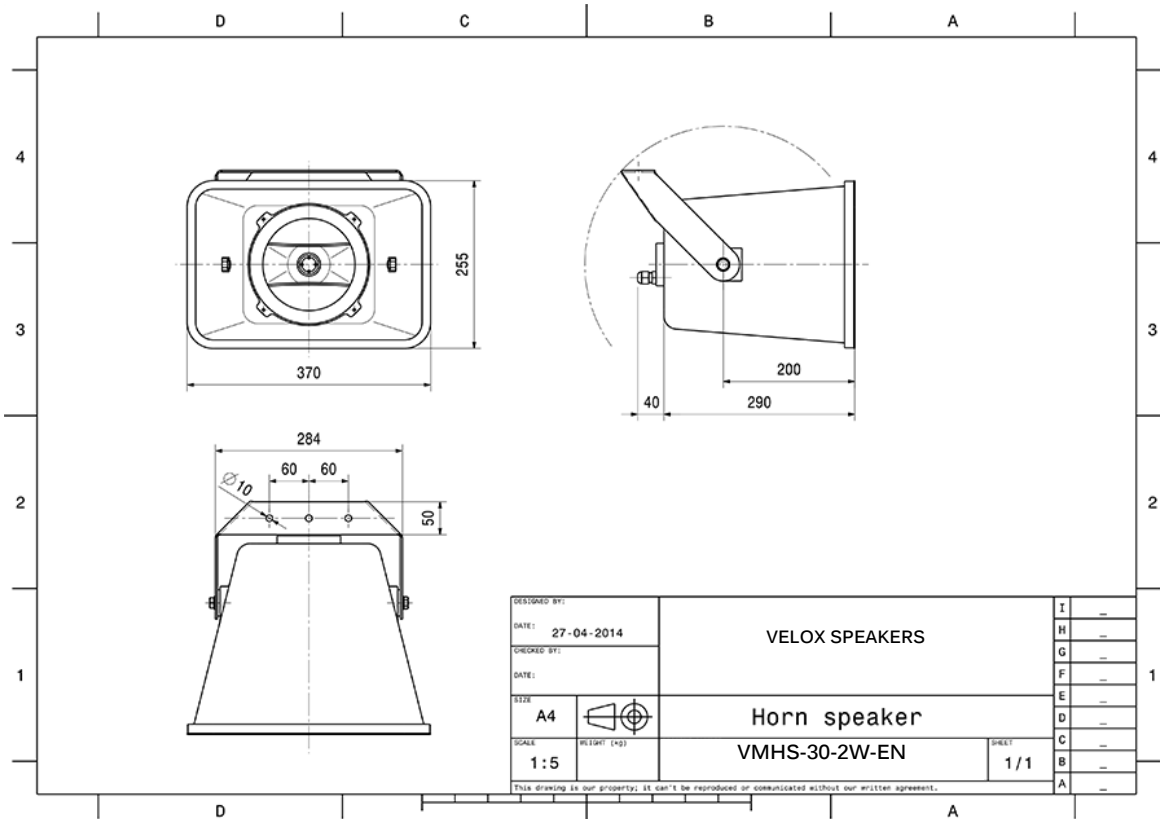


Parameters: Cyclic Move: 0° ; Symmetry: average sym ; Freq.Smooth: 1/3 Oct ; Ang.Resol.: 5° ; Rel. to: 0° Axis 0°

Frequency Response Diagrams



Technical Diagrams



Technical Data (Electrical)

Feature	Description
Power	30/15/7.5/3.75 W
Impedance (100V)	333/667/1333/2667 ohm
Frequency Range	237 - 21.100 Hz
Frequency Response	65 - 24.000 Hz
SPL IEC268-5 , 1W/1m	98.0 dB
SPL EN54-24, Pmax/4m	100.0 dB
Sensitivity EN54-24, 1W/4m	100.0 dB
Sensitivity EN54-24, 1W/1m	98.1 dB
Dispersion -6dB, 500Hz	190° (h) 205° (v)
Dispersion -6dB, 1KHz	70 °(h) 90° (v)
Dispersion -6dB, 2KHz	85° (h) 90° (v)
Dispersion -6dB, 4KHz	80° (h) 110° (v)

Technical Data (Mechanical)

Feature	Description
Dimensions	370x255x291 mm
IP Rating	IP66
Weight (net)	4.9kg
Temperature range	-25 / +70 °C
Mounting	Mounting bracket
Connector	ceramic block
Terminal diameter	3.2 mm
Maximum cable passage	8 mm ²
Colour	RAL 7035

Order code

Part No.	Description
VMHS-30-2W-EN	Music horn, 2-way-system, 30 watts, RAL 7035, with thermal fuse and ceramic block, certified EN 54-24, BS 5839 compliant, IP66

As our policy is one of constant product improvement the right is therefore reserved to modify product specifications without prior notice
 Ref. VMHS-30-2W-EN/SP/R1/V1/240124

ATEIS Middle East FZCO.

LIU No.11 Dubai Silicon Oasis
 P.O. Box 293640 Dubai United Arab Emirates.
 Tel. +971 (4) 3262730 - Fax. +971 (4) 3262731
 info@ateis.ae, www.ateis.ae, www.velox.ae