

VELOX VCS500-2W-10-EN

5" 2-Way 10W Ceiling speaker, ABS, Firedome, certified EN 54-24



Description

2-Way-Ceiling speaker with firedome for voice alarm applications, certified EN 54-24, suitable for voice announcements and background music with excellent sound quality in buildings. The 10W powered speaker is equipped with a 130mm 2-way system with a high quality tweeter and a 100V transformer with 4 power adjustments. Low impedance operation is also possible. The impact-resistant plastic housing in RAL 9016 guarantees long-term stability. A thermal fuse provides additional safety.

Thanks to an innovative magnetic fastening, the finely perforated speaker grille can quickly be removed or replaced by a grille with a different color, even after the installation.

Protection class IP 21C secures the speaker against the impact of environmental influences. The speaker chassis is impregnated against dampness. Easy installation via the screw mounting system.

- 2-way system
- thermal fuse
- magnetic fastening of grille



Made for VELOX in Germany

Standard & Approvals

VELOX loudspeakers are tested and classified according to the IEC standard 60529 (degree of protection by enclosure) against the penetration of foreign objects and moisture.

The classification is conforming to standards through characterization with a fixed code. This code consists of the letters IP (International Protection) followed by two digits.

The first digit indicates the degree of protection against dust and the second digit the degree of protection against water. Please note that the testing of the products has been carried out in laboratory conditions which are not always 100% comparable with the conditions of different installation environments. This protection can be reduced due to normal wear and tear depending on the installation environment.

RoHS compliant (2011/65/EU)

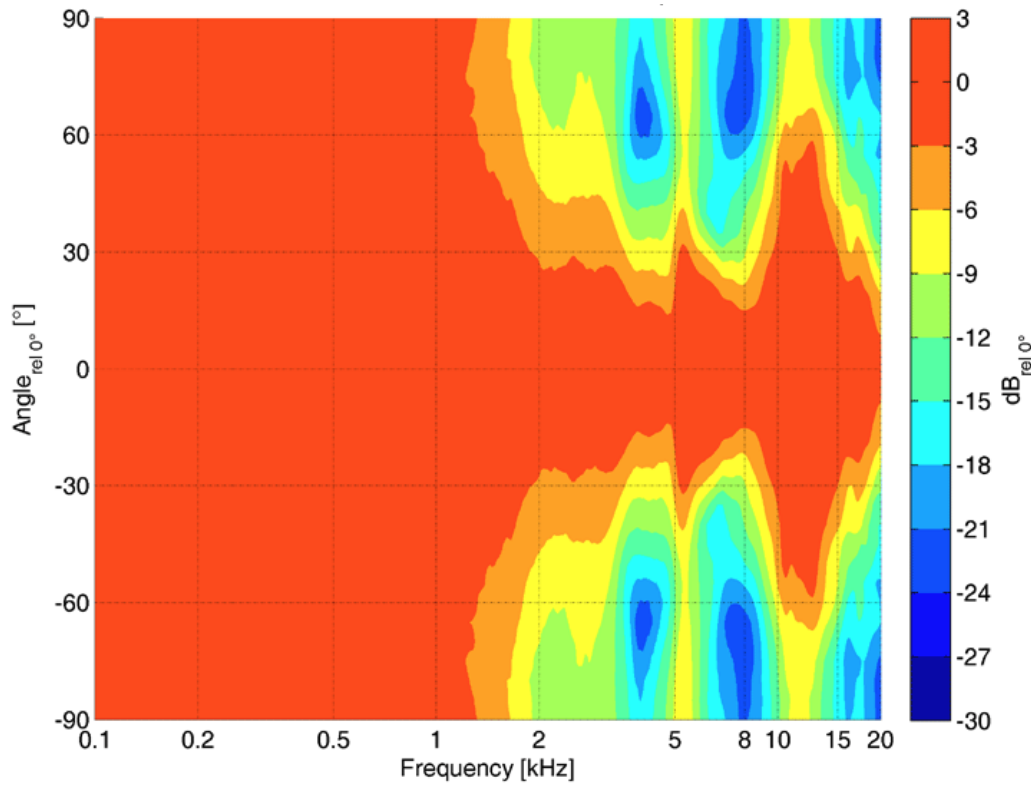
The IP rating specified is based on VELOX test results, not on CNBOP-PIB test results. Certification only verifies the minimum requirements for EN54-24 compliance.



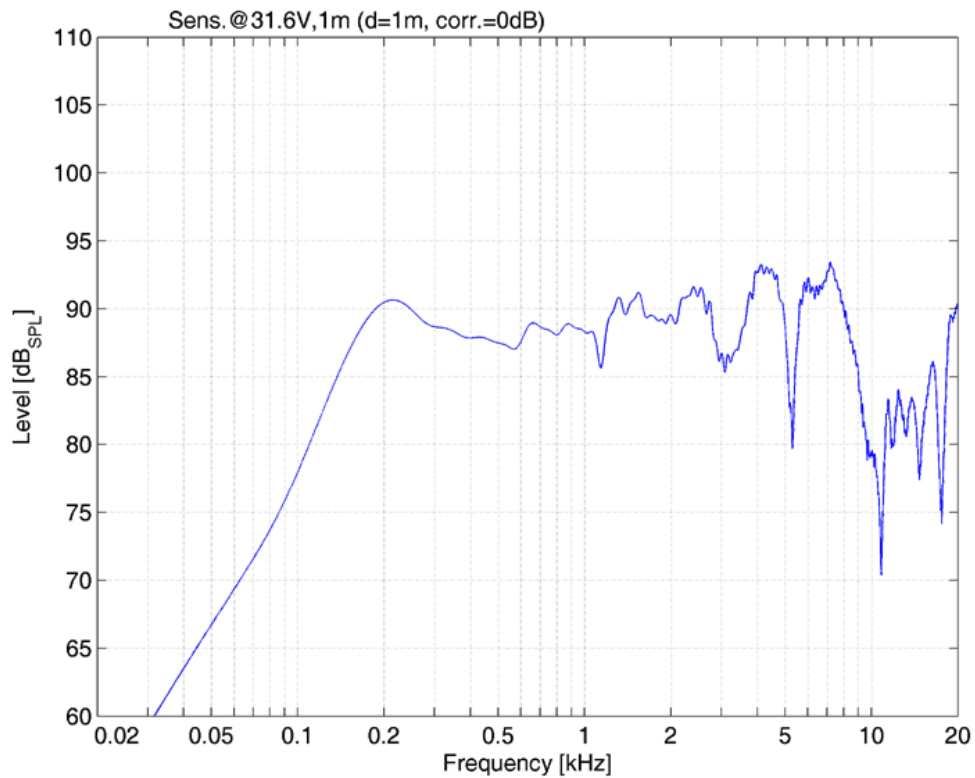
EN 54-24:2008
Ref. Nr.: 018-15
ID-Code: SAA-LS18
xxx-CPR-xxxx

Polar Diagrams

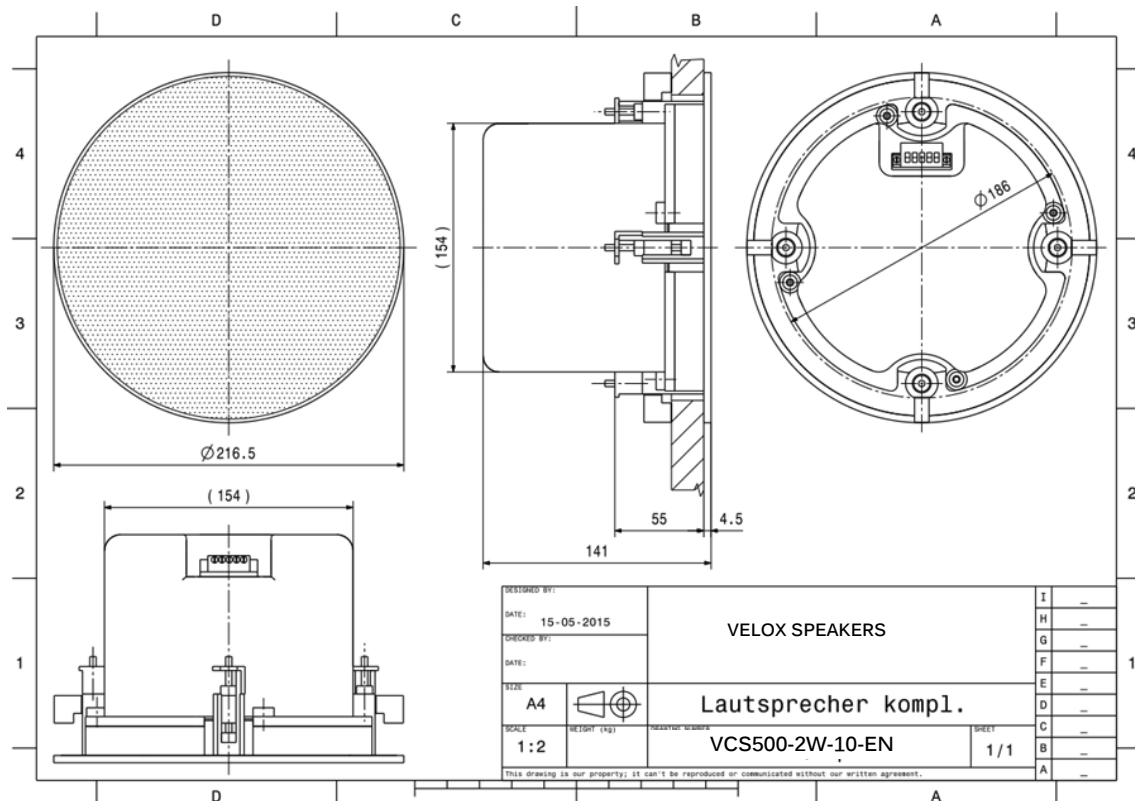
Horizontal Isobars



Frequency Response Diagrams



Technical Diagrams



Technical Data (Electrical)

Feature	Description
Power	10/5/2.5 (8) W
Impedance (100V)	1000/2000/4000 ohm
Frequency Range	104 - 22.700 Hz
Frequency Response	111 - 21.600 Hz
SPL 1W/1m, peak	92,1 dB
SPL , 1W/4m, peak	80,1 dB
SPL Pmax/4m, peak	90,1 dB
SPL, rated noise power / 4m	88,0 dB
Sensitivity EN54-24, 1W/4m	75,8 dB
Sensitivity EN54-24, 1W/1m	87,8 dB
Dispersion -6dB, 500Hz	h/v 180°
Dispersion -6dB, 1KHz	h/v 180°
Dispersion -6dB, 2KHz	h/v 110°
Dispersion -6dB, 4KHz	h/v 72°

Technical Data (Mechanical)

Feature	Description
Dimensions	216,5 x 141 mm
IP Rating	IP21
Weight (net)	1,70 kg
Ceiling Cut-out	186 mm
Temperature range	-10 / +55 C°
Mounting	Screw system
Connector	5-pin screw terminal
Maximum cable cross section	4,9mm ²
Max. cable cross section loop	2x4,9mm ²
Colour	RAL 9016

Order code

Part No.	Description
VCS500-2W-10-EN	5" 2-Way 10W Ceiling speaker,RAL 9016, ABS, Firedome, certified EN 54-24